

The Primary Stage of Grades (4-5)  
Second Semester 2021 - 2022

Name: \_\_\_\_\_

Subject: Mathematics

Date: / /

Final Revision worksheet

Grade 5 (C, D, E, F&G)

**Objective:**

To review all taken concepts about:

- Length, mass and capacity
- Perimeter and area
- Angles

**Length, mass and capacity**

**A Convert to the units shown:**

1) 0.94 km = ----- m

2) 525.8 cm = ----- m

3) 40.05 mm = ----- cm

4) 89.06 cm = -----mm

5) 4.8 km 15 m = ----- m

6) 92 cm 17 mm = ----- cm

7) 63.2 L = ----- ml

8) 569 ml = ----- L

9) 67 L 34 ml = ----- ml

10) 9 kg 47 g = ----- g

11) 16.4 kg = ----- g

12) 5302 g = ----- kg

**B Write >, < or = to make statements true.**

1) 260 cm  26 m

2) 7 km 3 m  730 m

3) 89.5 ml  8.95 L

4) 2390 g  2.3 kg

**C Calculate. (pay attention to the units)**

1) 6.08 kg + 465 g =

2) 9 L - 3798 ml =

3) 3.08 m + 215 cm =

4) 3067 mm - 1.02 m =

**D Find :**

( 1 )  $\frac{7}{8}$  of 24 km in meters

( 2 ) 45% of 5.4 L in milliliters

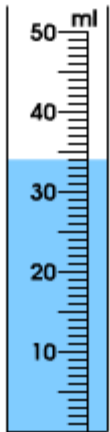
**E Write the following lengths starting with the shortest .**

7 m 25cm , 775 m ,  $7\frac{1}{5}$  m , 72.5 cm

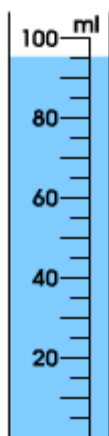
---

**F State the *capacity* shown in ml, for each of the following:**

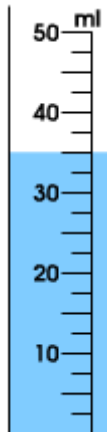
1)



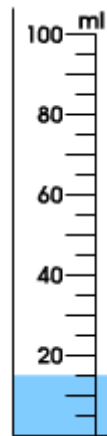
2)



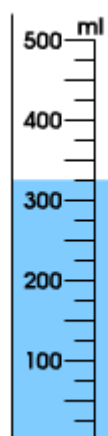
3)



4)



5)

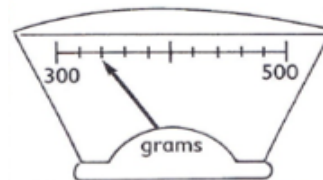


**G State the *weight* shown, in g, for each of the following:**

1)



2)

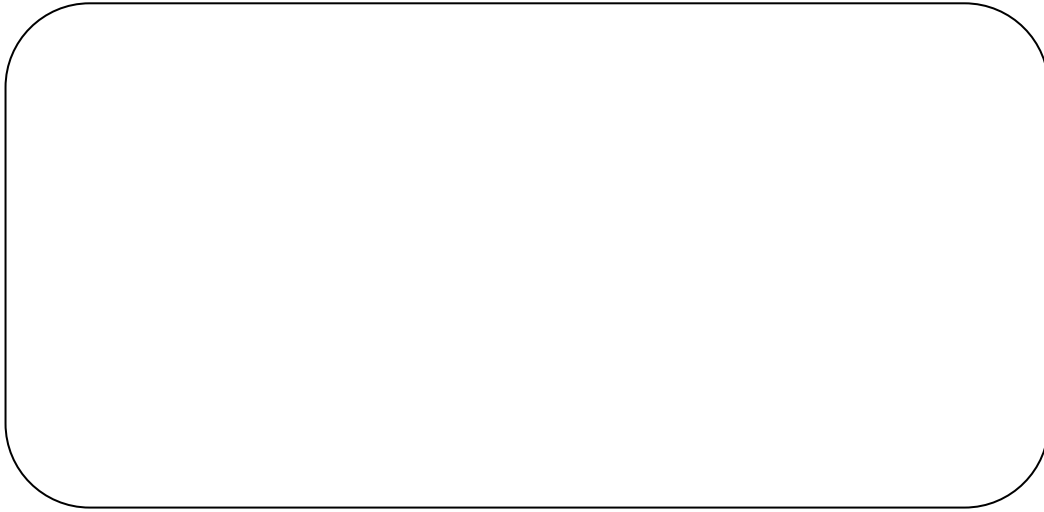


**H** Sara is packing to move to another apartment down the hall.

She packed 24 boxes. Each box can hold up to 8 kg.

The trolley she is using to move can take up to 32 kg.

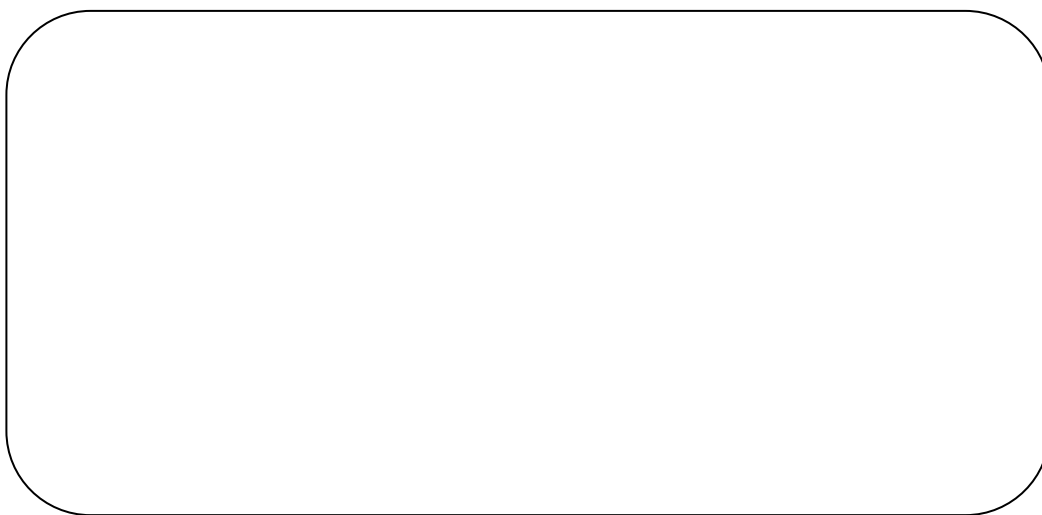
How many trips does it take her to move if she only has one trolley?



**I** Mr. Smith was filling up a 6 L container with water.

He had a 500 ml jug.

How many times would he have to fill the jug to totally fill the container?



## Perimeter and area

A If the perimeter of a square is 40 cm, so the length of each side of the square is

B If the area of a square is  $36 \text{ m}^2$ , so the length of each side of the square is

C The perimeter of a rectangle is 34 cm. Its width is 5 cm.

What is its length?

D The area of a rectangle is  $54 \text{ m}^2$ . Its length is 9 m.

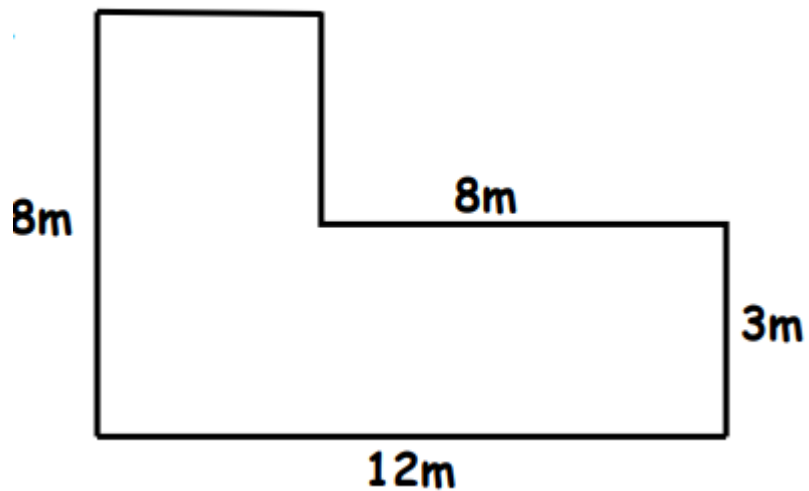
What is its width?

E A tile is a square with an area of  $64 \text{ cm}^2$ .

Find the perimeter of the tile.

**F Find the area and the perimeter for the following compound shapes.**

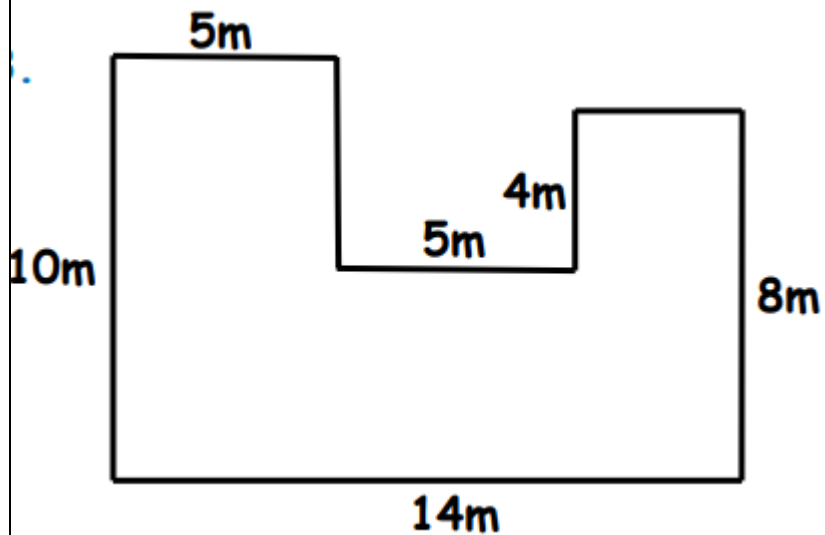
( 1 )



Area =

Perimeter =

( 2 )

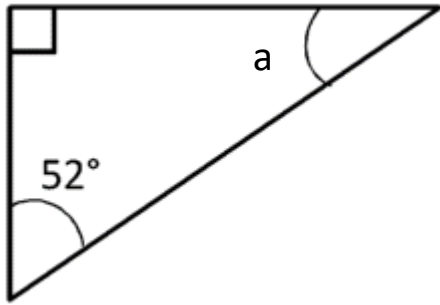


Area =

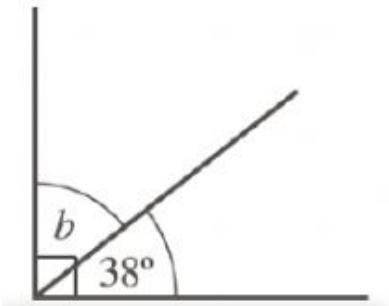
Perimeter =

# Angles

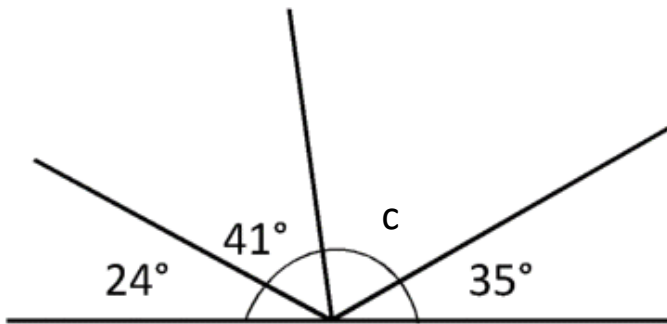
Find the missing angle in each figure. (please show your work)



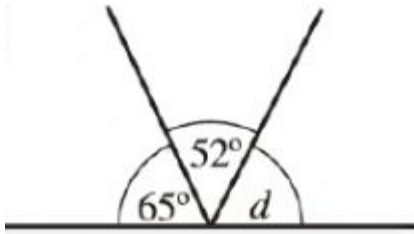
Angle a =



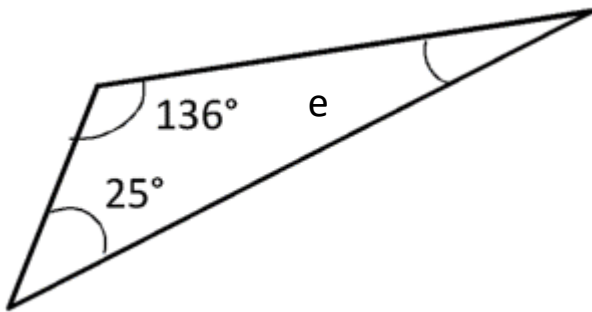
Angle b =



Angle c =



Angle  $d =$



Angle  $e =$