

The Primary Stage of Grades (4-5) School Year 2022 - 2023

Name: _____






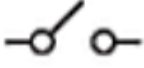

Unit (9): More about electrical circuits
Worksheet (1): Circuit symbols
Grade 5 CP (All sections)

Date: / /

Objective:

- Identify different circuit symbols.
- Draw circuit diagrams for circuits with different components.

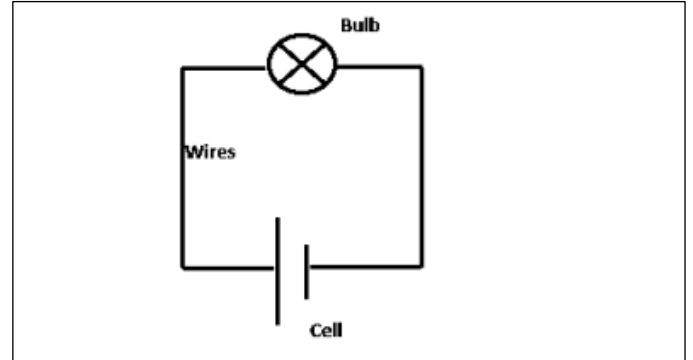
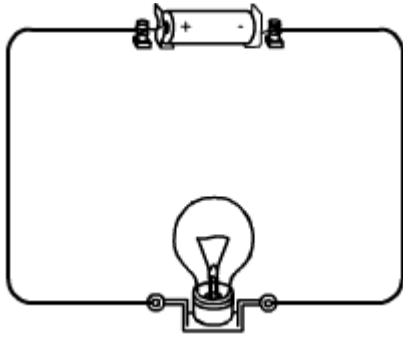
Question 1: Complete the table by writing the correct component name in the box next to each circuit symbols.

	Cell
	Wire
	Bulb
	A Battery (2 cells)
	Motor
	An open switch
	A closed switch

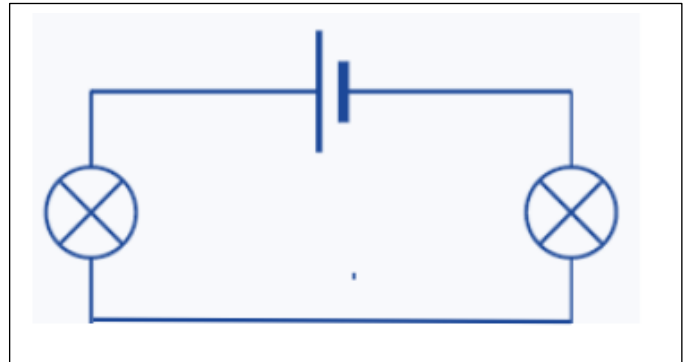
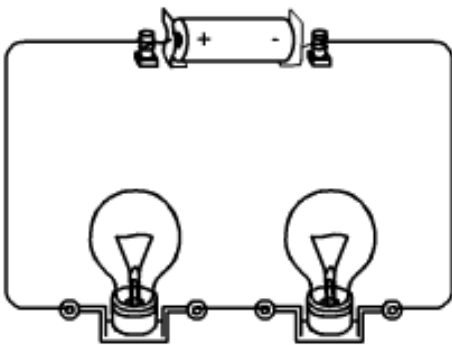
Question 2:

Draw a circuit diagram for each of the following electric circuits:

a.



b.



c.

