

Worksheet |

Lower Secondary
Stage (6-8)

1st Semester | 2023-2024

Name: Markella Bursheh "8b"
Subject: Physics

Topic: Interpreting and drawing circuits

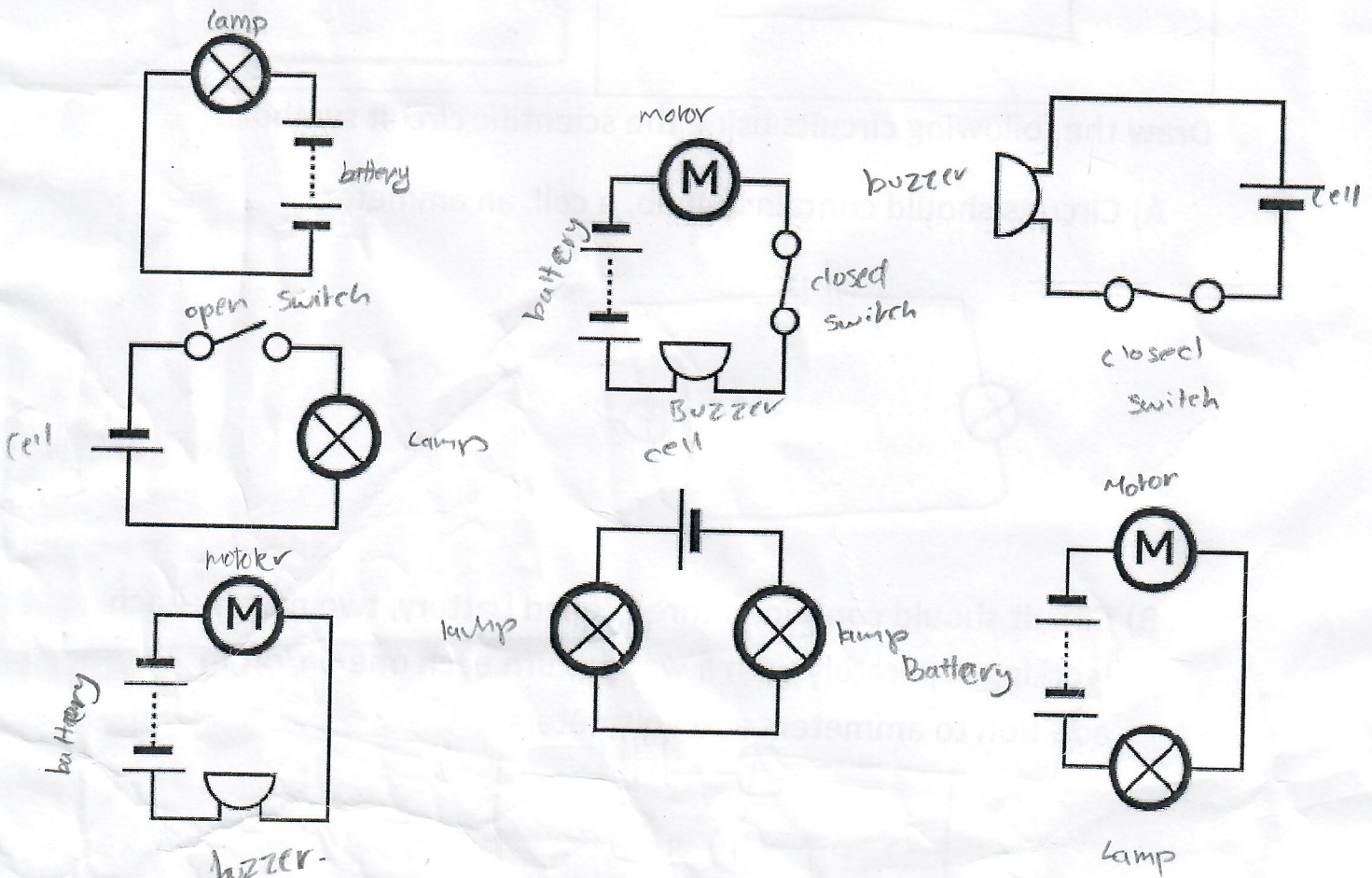
Objectives:

- To be able to interpret and draw circuits

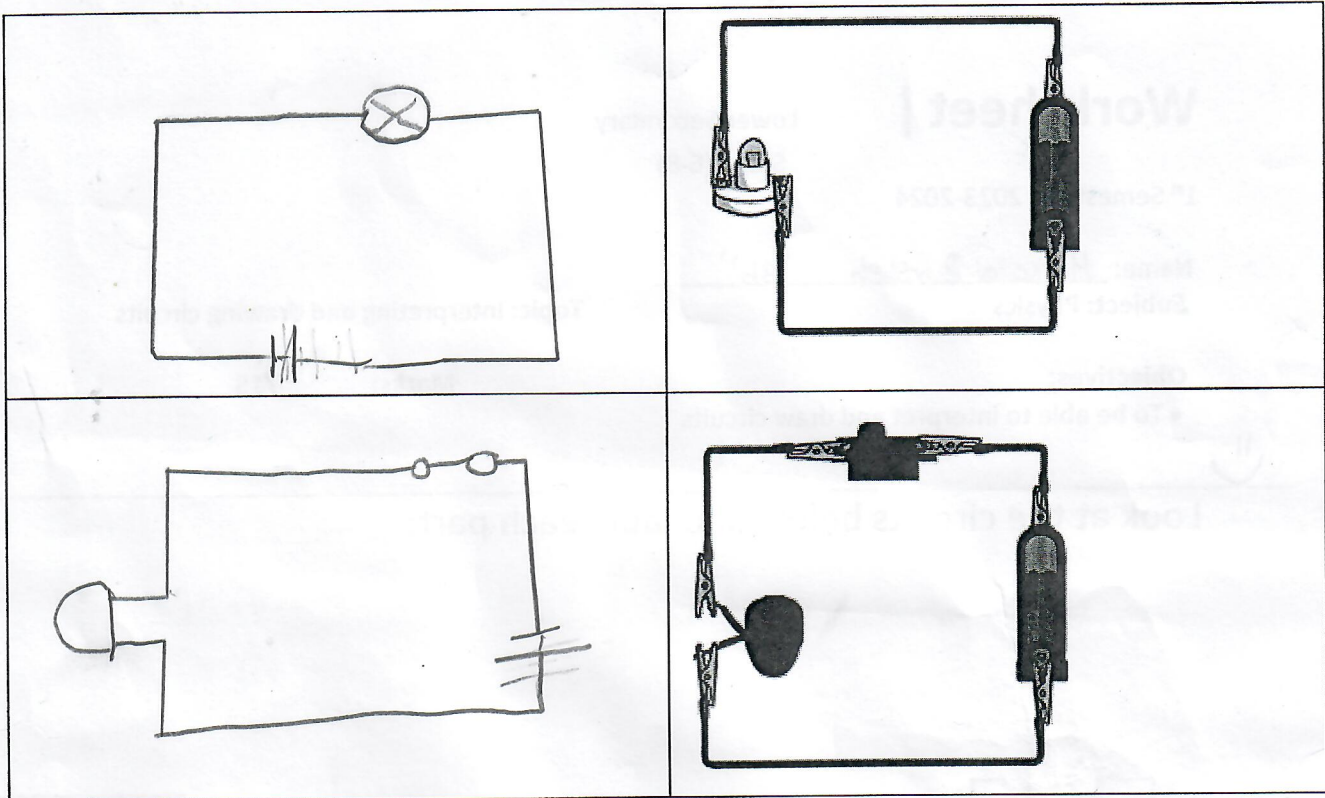
Marks: ____/15



Look at the circuits below and label each part:

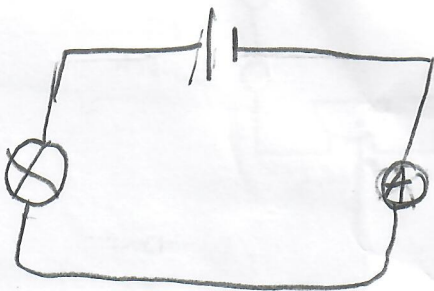


Draw the following circuits using the scientific circuit symbol:



Draw the following circuits using the scientific circuit symbols:

A) Circuits should contain: a bulb, a cell, an ammeter



B) Circuit should contain: a three celled battery, two motors each working separately with a way to turn each one on/off in addition to ammeters and voltmeters

