

# Worksheet |

Lower Secondary  
Stage (6-8)

1<sup>st</sup> Semester | 2023-2024

Name: Markella Burshieh

Subject: Physics

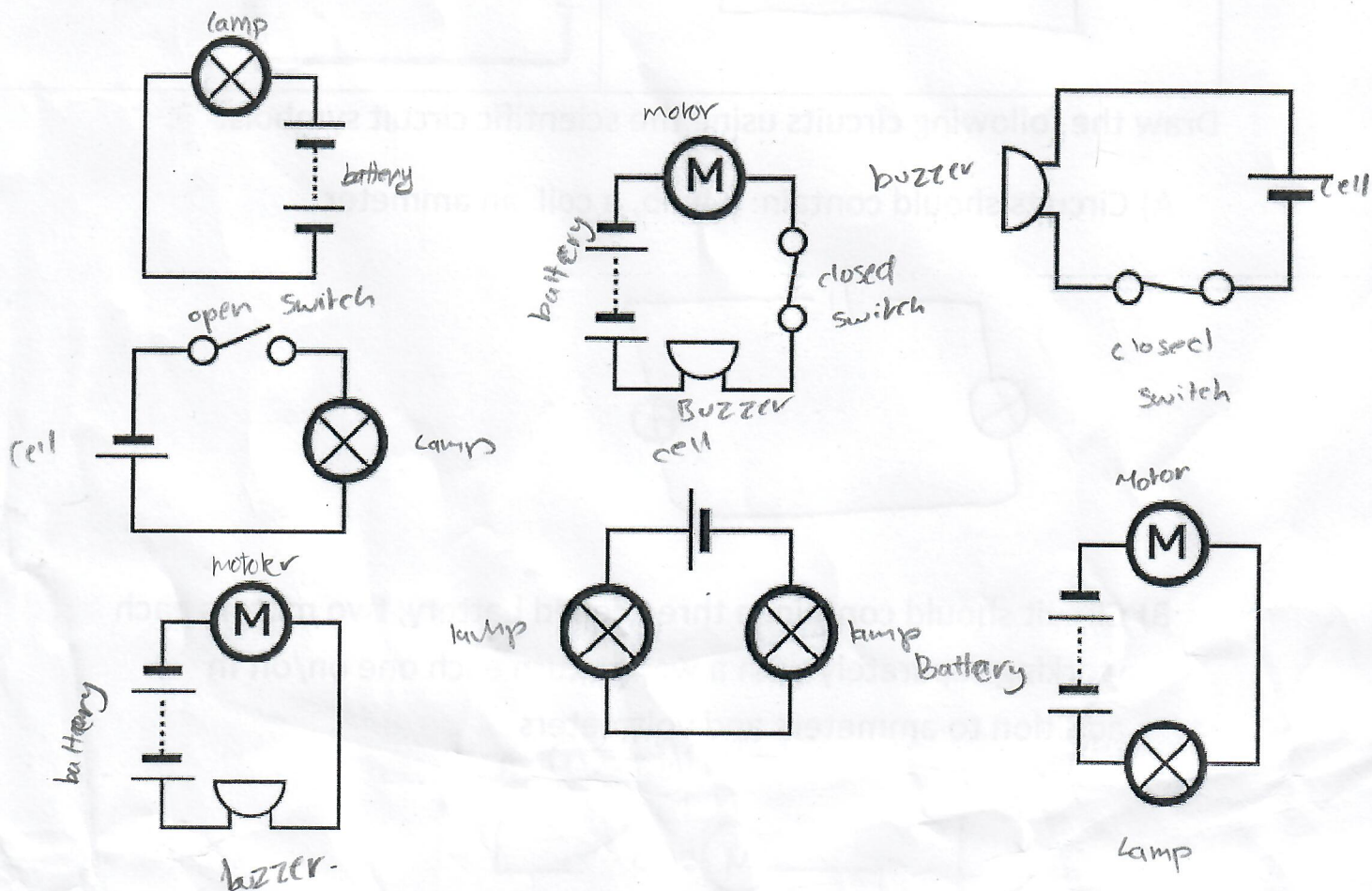
Topic: Interpreting and drawing circuits

Objectives:

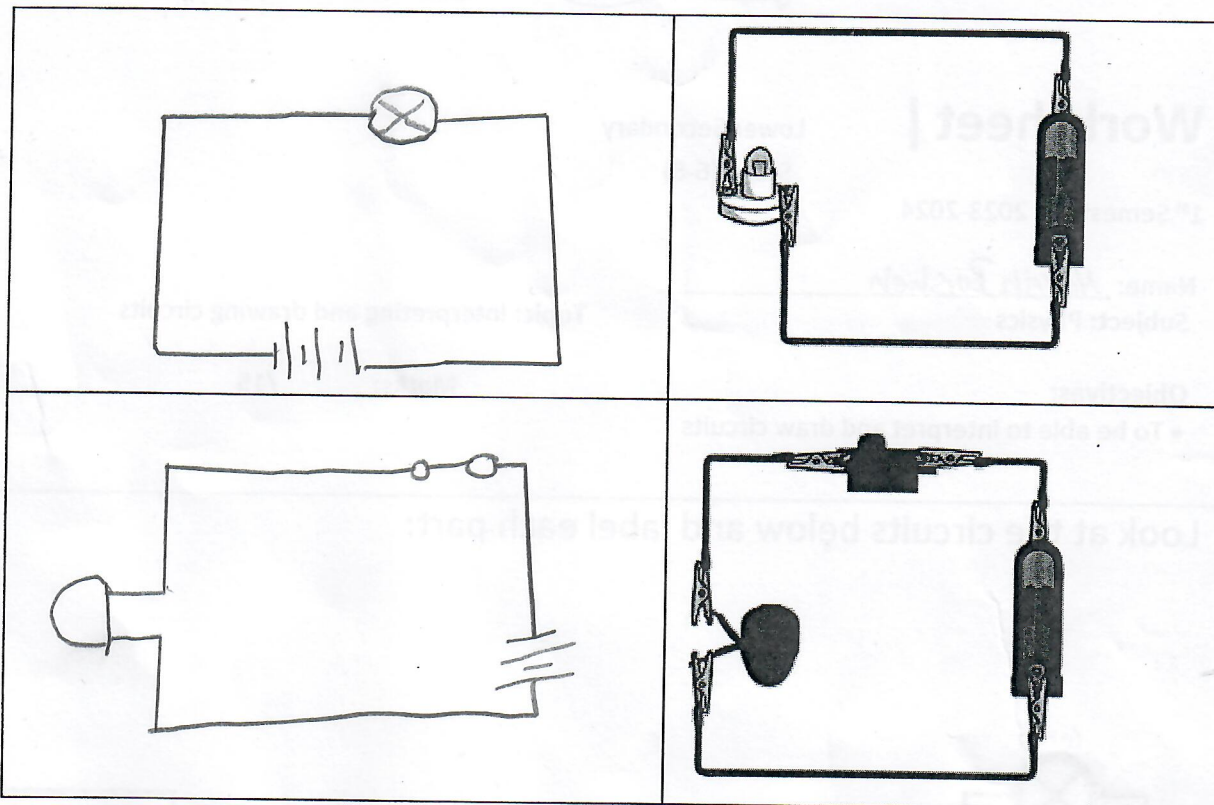
- To be able to interpret and draw circuits

Marks: \_\_\_\_/15

Look at the circuits below and label each part:

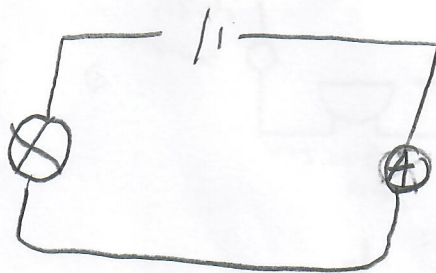


Draw the following circuits using the scientific circuit symbol:



Draw the following circuits using the scientific circuit symbols:

A) Circuits should contain: a bulb, a cell, an ammeter



B) Circuit should contain: a three celled battery, two motors each working separately with a way to turn each one on/off in addition to ammeters and voltmeters

