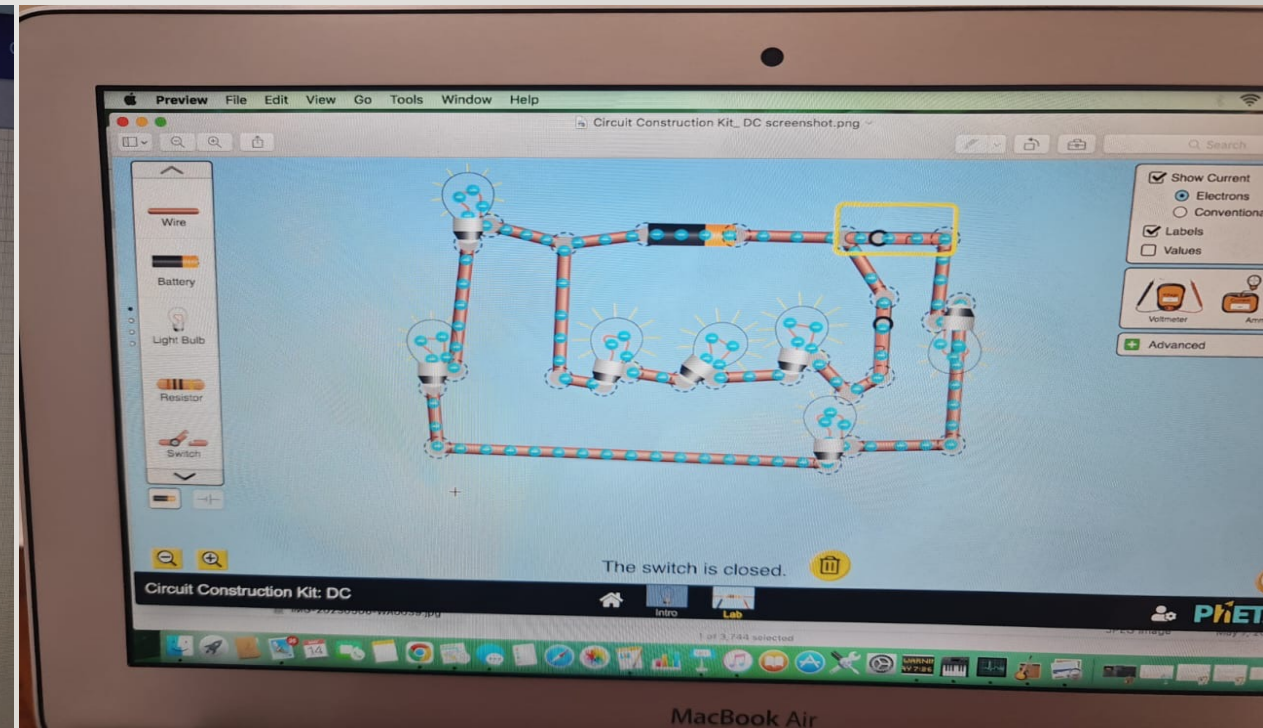
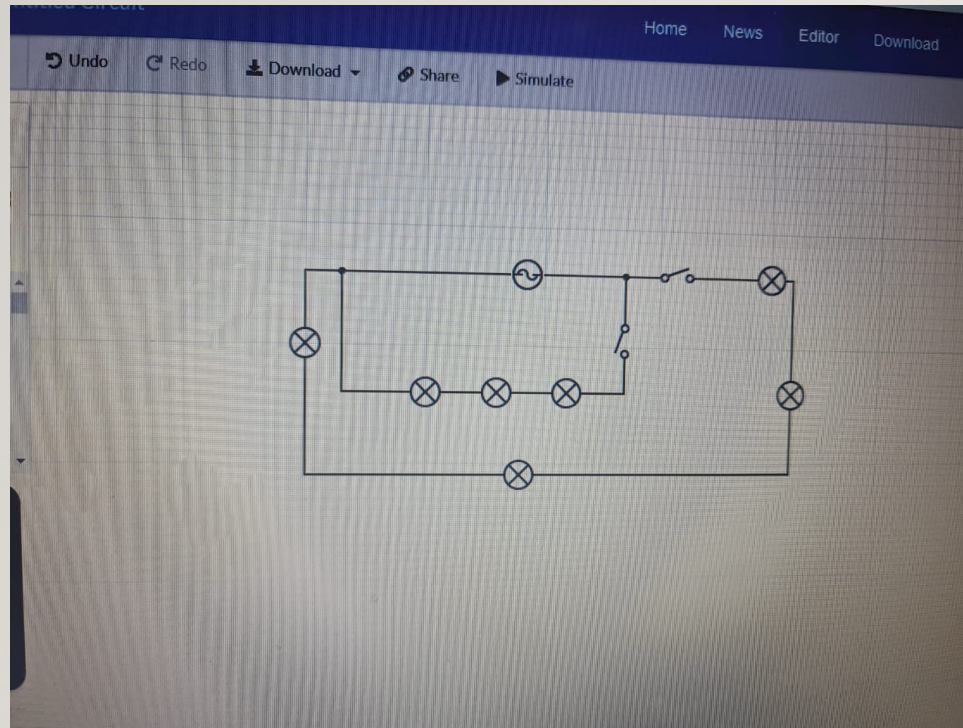


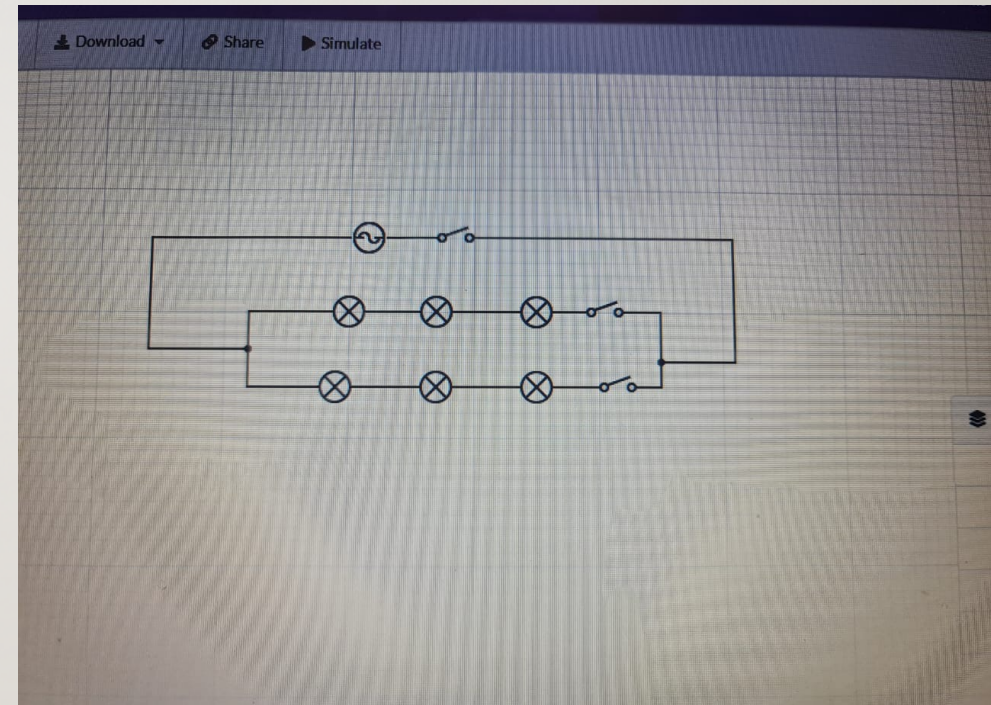
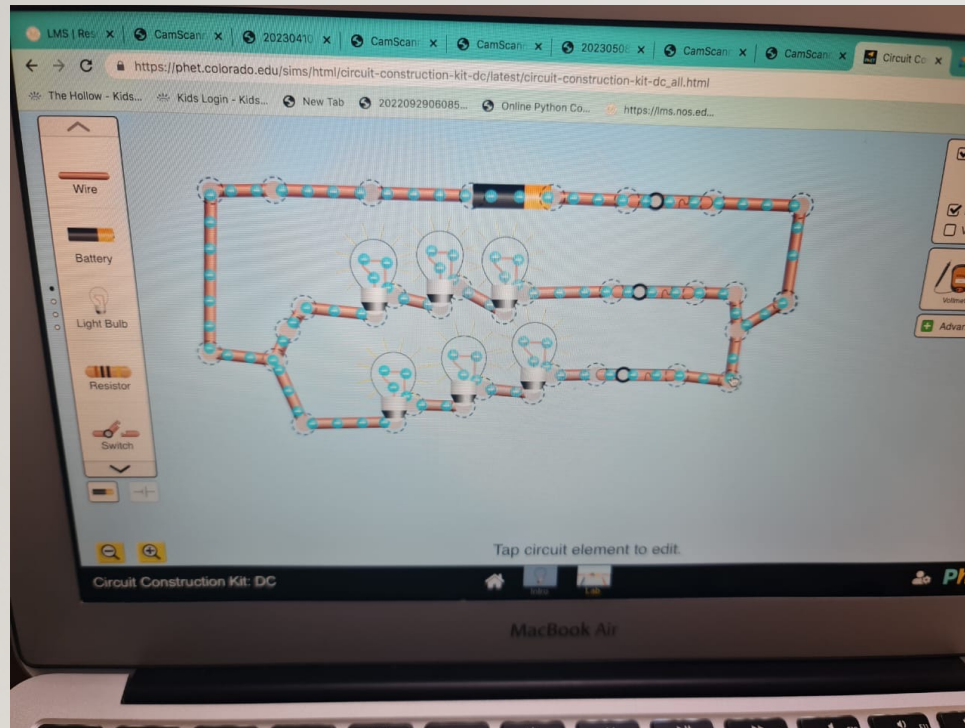
THE ROOM DESCRIPTION



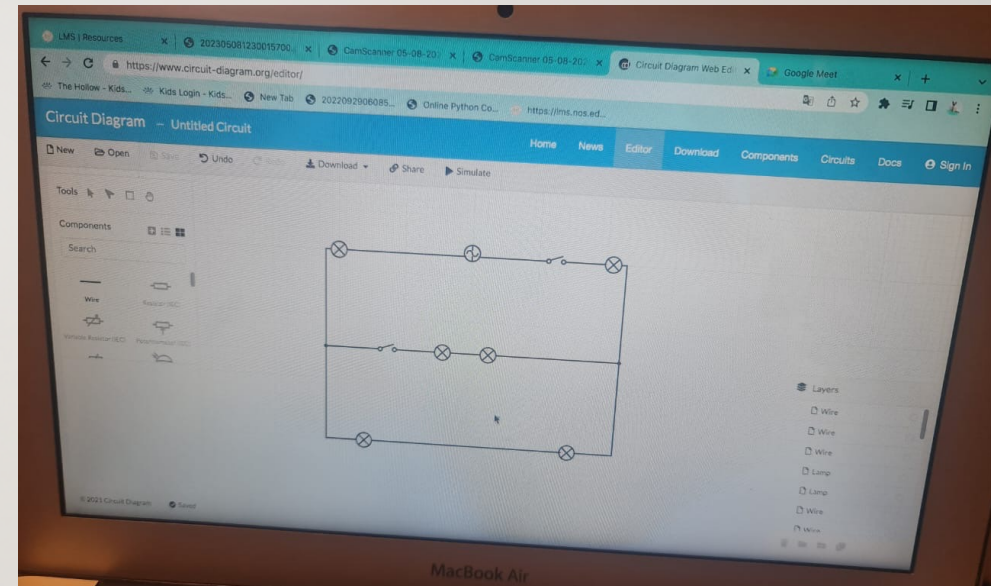
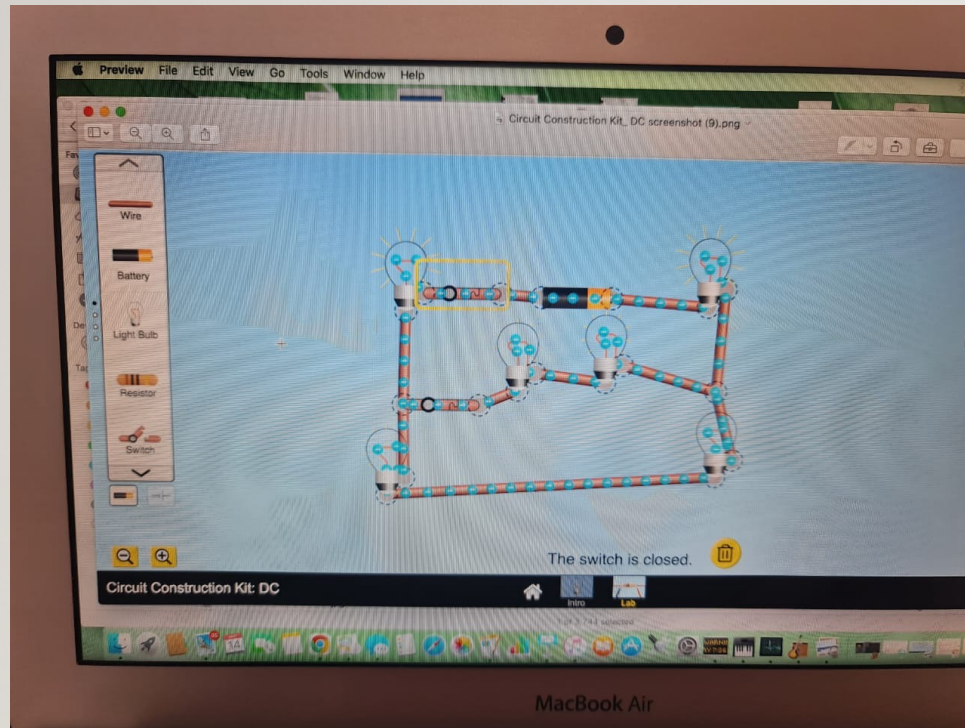
LIVING ROOM: THE ROOM USED POWER FROM THE GOVERNMENT WHILE USING 16M WIRE AND 7 LIGHTS, IN ADDITION TO 2 FANCY SWITCHES AND 3 ELECTRIC SOCKETS. THE LIGHTS ARE SEPARATED ALL AROUND THE ROOM FOR A BETTER LIGHTING EXPERIENCE ALL AROUND THE ROOM. THE LIGHTS THAT ARE ON THE THE SIDES ARE LED LIGHTS AND THE LIGHTS THAT ARE IN THE MIDDLE ARE CFL LIGHTS. THE DIMENSIONS OF THIS ROOM: 4*3



KITCHEN : THE SECOND ROOM WAS ALSO POWERED BY THE GOVERNMENT, USING 18 M WIRE AND 6 NORMAL LIGHTS, IN ADDITION TO 2 FANCY SWITCHES AND 4 ELECTRIC SOCKETS. THE DIMENSIONS OF THE ROOM: 3.5*2.8



BEDROOM: USING 17 METERS OF WIRE AND 6 LIGHTBULBS THE BEDROOM ELECTRICITY WAS SUPPORTED BY THE GOVERNMENT AND OF THE LIGHTBULBS 2 ORDINARY SWITCHES AND 4 ELECTRIC SOCKETS WERE USED . THE LIGHT BULBS THAT ARE IN THE CORNERS ARE LED LIGHTS AND THE 2 THAT ARE IN THE MIDDLE ARE NORMAL LIGHTBULBS
THE DIMENSIONS OF THIS ROOM IS: 5*2



BATHROOM: WE USED 2 ORDINARY SWITCHES AND ONE MOTION ACTIVATED LIGHTBULB WHICH IS IN THE MIDDLE AND THE 3 THAT ARE INFRONT OF THE BATHROOM ARE LED LIGHTS AND 10M OF WIRES. THE DIMENSIONS OF THIS ROOM IS: 3*2

