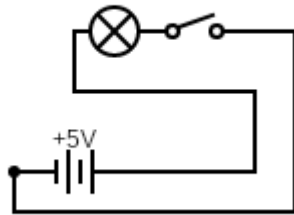


Bathroom:

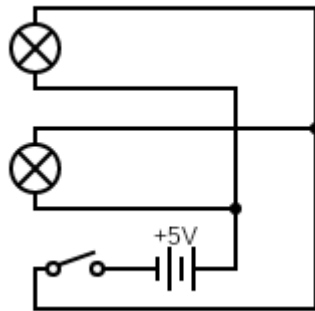
- Circuit diagram:



- There is one Motion Activated LED that gives off 1800 L, and one socket. It is all connected with eight metres of wire.

Bedroom:

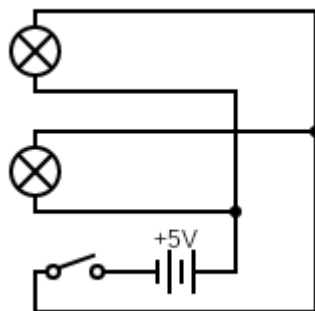
- Circuit diagram:



- There are two LEDs that give off 1400 L each, connected in parallel and activated by a switch. There are also two sockets. It is all connected with fifteen metres of wire.

Kitchen:

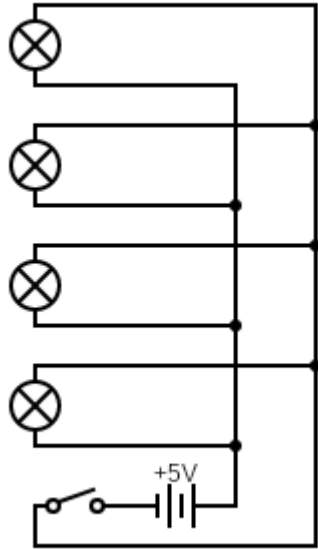
- Circuit diagram:



- There are two LEDs that give off 1400 L each, connected in parallel and activated by a switch. There are also five sockets. It is all connected with twenty-three metres of wire.

Living Room:

- Circuit diagram:



- There are four LEDs that give off 800 L each, connected in parallel and activated by a switch. There are also four sockets. It is all connected with twenty-four metres of wire.